

MINIMAX[®] SSP 1230



A COMPLETE FIRE DETECTION AND SUPPRESSION SYSTEM PRE-ENGINEERED FOR FUME CABINETS

Reduce even the most critical flammable or reactive chemical fire risks with the SSP 1230. This complete, compact system pneumatically releases 3M[™] Novec 1230[™] extinguishing agent, which deploys quickly and cleanly without leaving behind residue, particulates, or water.

- Easy and flexible installation
- Quick and effective suppression
- Extremely dependable, with no electricity needed
- Highly economical and space-saving
- UL Listed and FM Approved

Discover the most flexible, space-saving, and cost-effective small space protection system available—the Minimax SSP 1230.

PROTECT YOUR BUSINESS FROM:

- Flammable or reactive chemicals near open flames
- Technician injury
- Damage to equipment and peripheral lab areas
- Work stoppage



The SSP 1230 uses a proprietary continuous linear tube that reliably detects fire and pneumatically actuates release of extinguishing agent.

MINIMAX[®] SSP 1230 FIRE SUPPRESSION SYSTEM

The SSP 1230 uses a proprietary continuous linear tube that reliably detects fire and pneumatically actuates release of extinguishing agent. It is more flexible, space efficient and cost effective than alternative mechanical or electronic systems.

Quick and Easy Installation Directly Inside Fume Cabinets

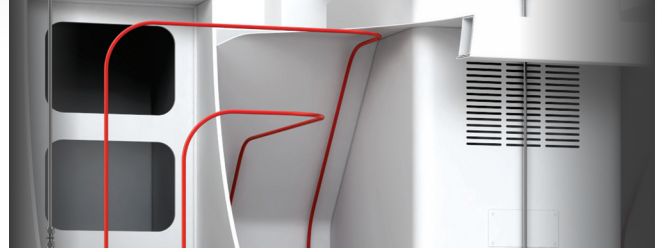
Flexible sensor tubing is easily installed directly on the cabinet wall and inside the extractor hood—directly above working areas. When in service, the tubing is pressurized with dry nitrogen to 240 psi. The dynamics of pressurization make the tubing more reactive to heat.

Early Fire Detection

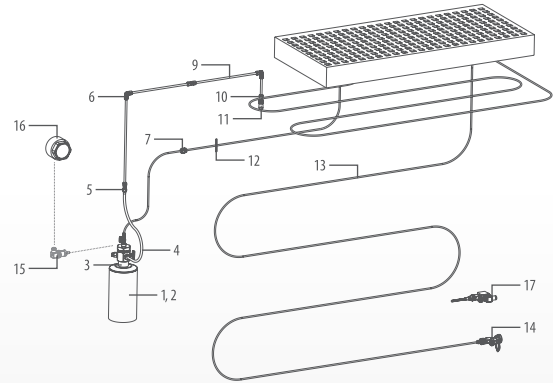
If a flame-up occurs, the fire's heat causes the pressurized sensor tube to burst at the hottest spot (approximately 240°F).

Instant Suppression

The sudden tube depressurization actuates the special pressure differential valve and instantly floods the entire cabinet area with extinguishing agent. The fire is quickly suppressed just moments after it began...minimizing damage and downtime.



A TYPICAL FUME CABINET SYSTEM INCLUDES:



POS.	QTY.	DESCRIPTION
1	1	ILP Cylinder / valve Assembly (filled)
2	1	Cylinder bracket
3	1	Gasket
4	1	Rubber hose
5	1	Tube fitting – straight
6	1	Tube fitting – elbow
7	1	Cross panel fitting
8	6	Pipe bracket (08mm)
9	3	Stainless steel tubing
10	1	Tube fitting – straight – G 1/4"
11	1	Nozzle
12	20	Self-adhesive clips for tube attachment
13	1	Fire tube – red
14	1	Manual release device
OPTIONAL		
15	1	Pressure switch
16	1	Alarm box
17	1	Solenoid release device



DIRECT (ILP)

Configure the system yourself by choosing from the available components/accessories



Sensor Tubing Mounting clips Fittings End of line devices Discharge nozzles

SPECIFICATIONS: SSP 1230

	3 lbs	7 lbs	14 lbs
Cylinder kit size	3 lbs	7 lbs	14 lbs
Cylinder diameter	2.93"	4.99"	6.14"
Cylinder approval	DOT	DOT	DOT
Weight (filled)	7.75 lbs	18.35 lbs	31.75 lbs



MINIMAX FIRE PRODUCTS
888.882.0191
SALES@MINIMAXFP.COM
WWW.MINIMAXFP.COM